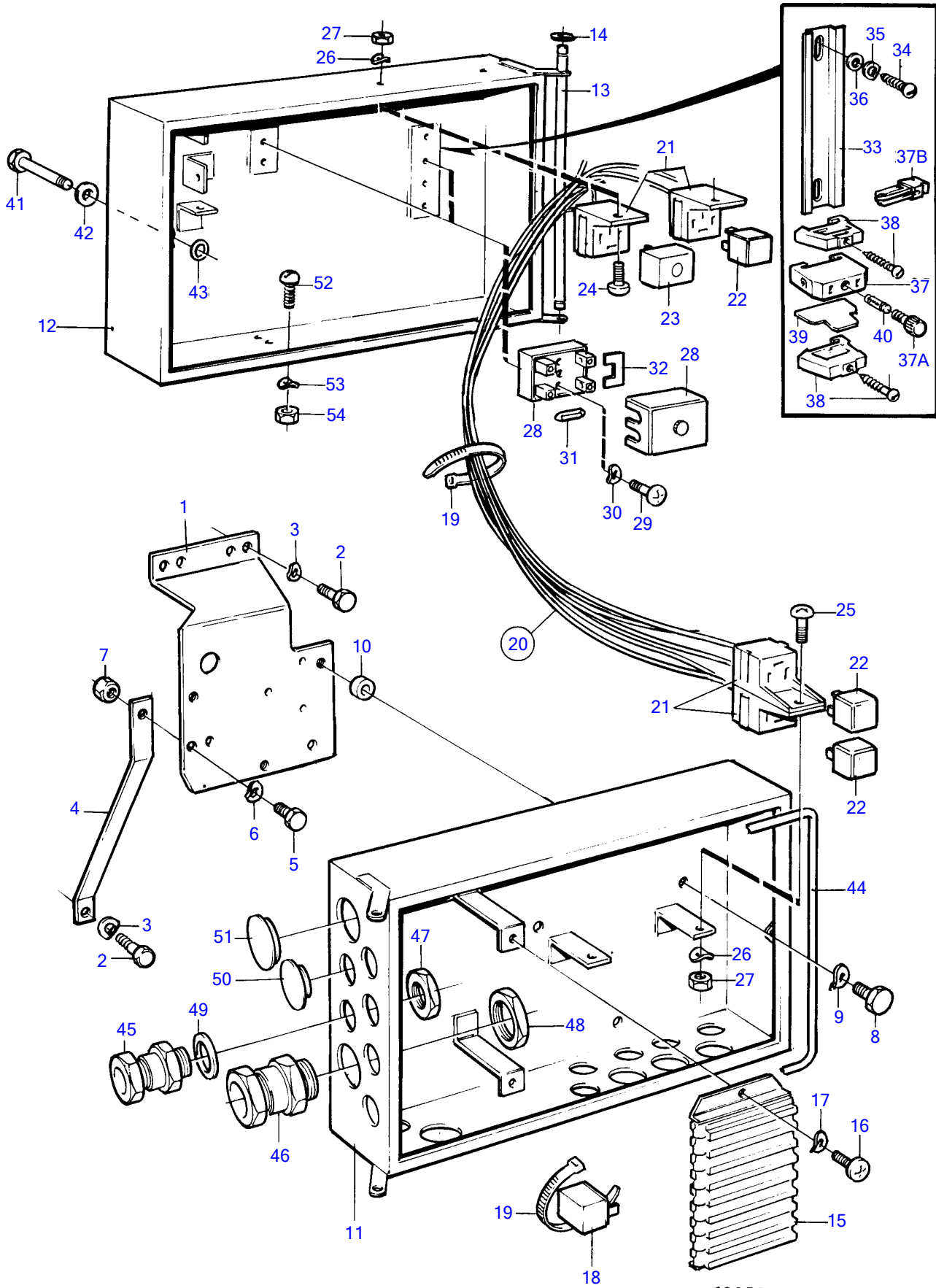


TAMD122A, TMD122A



## TAMD122A, TMD122A

REF	PART NO.	QTY	DESCRIPTION	NOTES
1	846819	1	Bracket	
2	940114	3	Hexagon screw	
3	942336	3	Spring washer	
4	846911	1	Bracket	
5	955524	1	Hexagon screw	
6	941907	1	Spring washer	
7	955826	1	Hexagon nut	
8	955297	3	Hexagon screw	
9	941907	3	Spring washer	
10	845589	3	Spacer sleeve	
11	(843124)	1	Clutch housing	Obsolete part
12	(843126)	1	Cardboard tube	Obsolete part
13	(837838)	1	Shaft	Obsolete part
14	951667	2	E-circlip	
15	843095	1	Terminal block	
16	(956075)	2	Cross recessed screw	Obsolete part
17	941905	2	Spring washer	
18	837722	1	Resistor	
19	948211	X	Cable tie	
20	(846211)	1	Cable trunk	Obsolete part
21	977184	7	• Housing	(946556)
22	877306	6	Relay	(8153600)
23	842987	1	Voltage monitor	
24	(956075)	2	Cross recessed screw	Obsolete part
25	956076	2	Cross recessed screw	
26	941905	4	Spring washer	
27	955780	4	Hexagon nut	
28	(88578)	4	Fuse box	Early type, Obsolete part
29	956060	8	Cross recessed screw	Early type
30	941904	8	Spring washer	Early type
31	942545	4	Fuse	Early type
	11433	2	Fuse	Early type
	943905	2	Fuse	Early type
32	(842390)	2	Bridge connector	Early type, Obsolete part
33		1	Rail	Late type
34	956058	2	Cross recessed screw	Late type
35	960137	2	Washer	Late type
36	941904	2	Spring washer	Late type
37	872892	4	Fuse board	Late type
37A		4	• Fuse holder	Late type
37B		X	Brace	Late type
38		2	Stop, shoulder	Late type
		1	• Screw	Late type
39		1	End plate	Late type
40	862962	4	Fuse	Fuse, type glass tube 8 amp., Late type
41	955261	1	Hexagon screw	
42	960138	1	Washer	
43	955978	1	O-ring	
44	(842224)	X	Sealing strip	Obsolete part
45	822327	X	Grommet	
	881192	X	Grommet	
46	881193	X	Grommet	
47	880243	X	Nut	
48	880755	X	Nut	
49	957185	X	Gasket	
50	94081	X	Plug	
51	662620	X	Rubber button	
52	(956075)	2	Cross recessed screw	Obsolete part
53	941905	2	Spring washer	
54	955780	2	Hexagon nut	